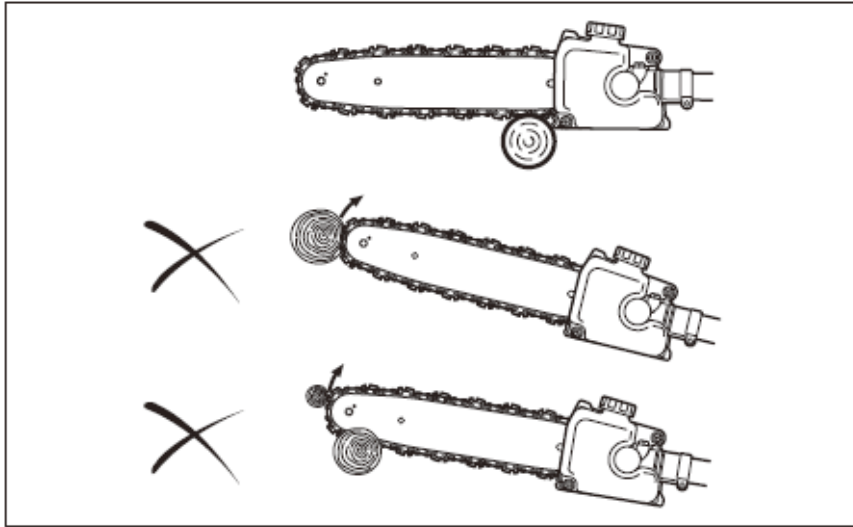


WARNING POLE SAW CORDLESS/GAS

Any piece of equipment can be dangerous if not operated properly. **YOU** are responsible for the safe operation of this equipment. The operator must carefully read and follow any warnings, safety signs and instructions provided with or located on the equipment. Do not remove, defeat, deface or render inoperable any of the safety devices or warnings on this equipment. If any safety devices or warnings have been removed, defeated, defaced or rendered inoperable, **DO NOT USE THIS EQUIPMENT!!!**

- Do not tape down or otherwise by-pass any safety devices!
- Use extreme caution: The blade is very sharp! Keep your hands, feet and all other body parts clear of the blade at all times.

IMPORTANT SAFETY RULES TO FOLLOW



WARNING KICKBACK MAY

OCCUR when the nose or tip of the guide bar touches an object, or when the wood closes in and pinches the saw chain in the cut. Tip contact in some cases may cause a lightning fast reverse reaction, kicking the guide bar up and back towards the operator. **Pinching** the saw chain along the top of the guide bar may push the guide bar rapidly back towards the operator. *Either of these reactions may cause you to lose control of the pruner, which could result in serious personal injury or death.* With the basic understanding of kickback, you can reduce or eliminate the

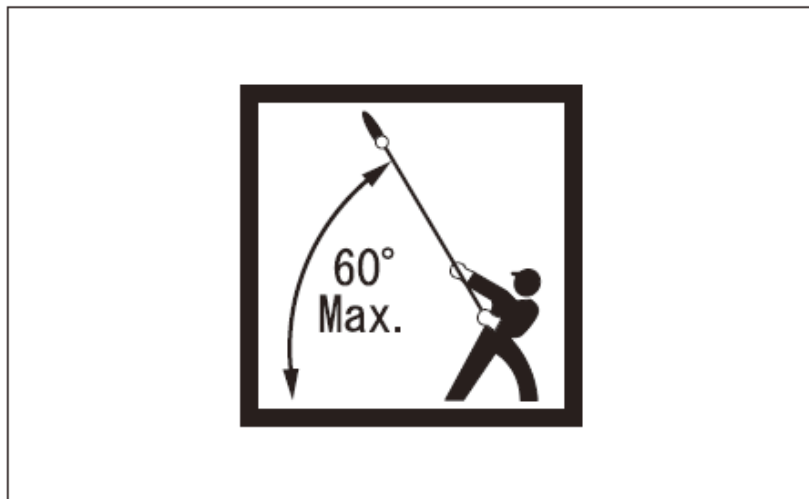
element of surprise. Sudden surprises contribute to accidents.

Use extreme care when cutting small brush or saplings: slender material may catch in the saw chain and be whipped toward you or pull off your balance.

When cutting a limb that is under tension, be alert for spring back so that you will not be struck by moving limb.

If a saw blade should bind fast in a cut, shut off the engine immediately. Push the branch or tree to ease the bind & free the blade

THE SAW IS NOT INSULATED AGAINST ELECTRICAL SHOCK! Approaching or contacting electrical line with the pruner could cause death or serious injury. Keep the saw at least 33 feet away from electrical lines or branches that contact or could contact electrical lines.



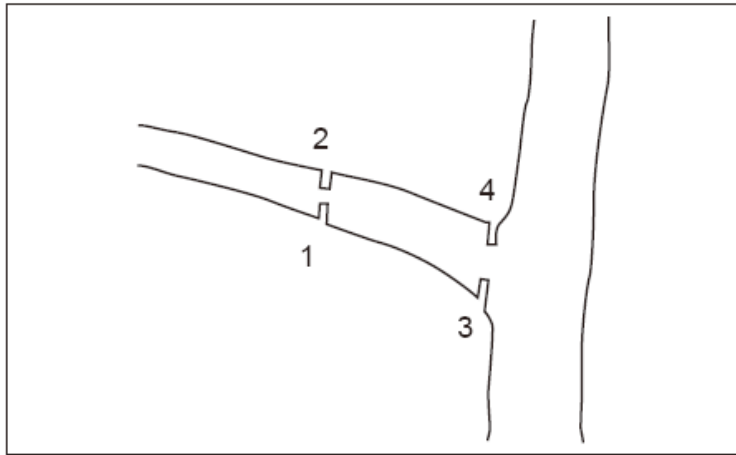
NEVER OPERATE THE SAW AT AN ANGLE GREATER THAN 60 DEGREES in order to reduce the risk of being stuck by falling objects during operation.

KEEP A PROPER FOOTING and do not overreach, maintain your balance at all times during operation. Do not begin cutting until you have a clear work area, secure footing, and a planned retreat path from a falling tree or branch. **OPERATE THIS UNIT FROM THE GROUND ONLY, NEVER FROM A LADDER.**

MAKE SURE THE AREA IN, WHICH YOU ARE CUTTING, IS FREE FROM OBSTRUCTIONS. Do not let the nose of the guide bar contact a log, branch, or any other obstructions, which could be hit while you operate the pole saw.

ALWAYS OPERATE WITH BOTH HANDS FIRMLY GRIPPING THE UNIT.

Keep a firm grip on the pole saw with both hands whenever the engine is running. A firm grip will help reduce the effects of kickback and pinching as well as maintaining control of the unit.



TIPS FOR CUTTING THICK BRANCHES

When you cut a thick branch, use the following method.

1. Make a small notch on the underside of the branch where is a bit distance from you intend to cut.
2. Cut the branch from the upper side of where you notched.
3. Make another small notch on the underside of the branch where you intend to cut.
4. Cut where you intend to cut from the upper side.

KEEP BYSTANDERS AT LEAST 50 FEET (15 meters) AWAY from the operating saw to reduce the risk of being struck by falling objects, thrown debris or the saw chain.

Always make sure the cutting attachment is properly installed and firmly tightened before operation.

Always stop the saw immediately and check for damage if you strike a foreign object or if the unit becomes tangled.

Carry the pole saw with the motor stopped the guide bar and saw chain to the rear, and the muffler away from your body.

Never transport the saw or set it down with the saw running.

Before you start the motor, make sure the saw chain is not contacting anything.

Keep the saw chain sharp and properly adjusted. **Note: Do not attempt any adjustments or repairs on this unit without first consulting A Tool Shed.**

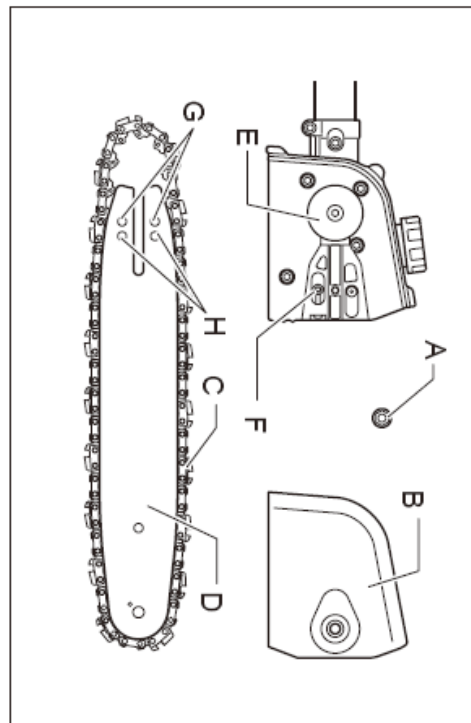
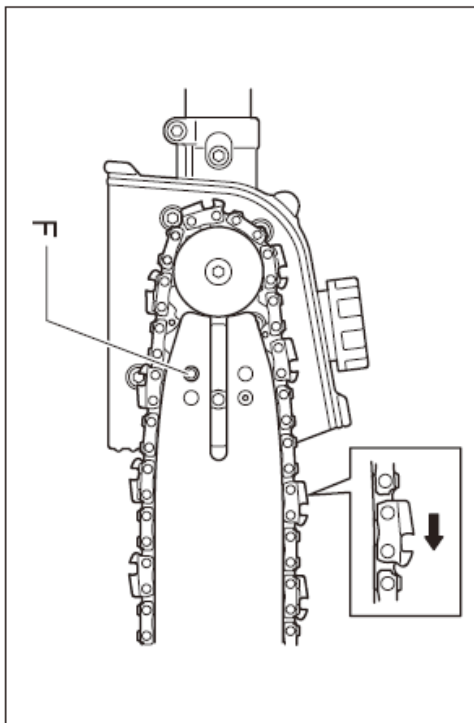
Never allow young children or any person unfamiliar with the saw to operate it.

Keep all parts of your body from the chain when the motor is running.

Keep the handles dry, clean, and free of oil or fuel.

ASSEMBLING SAW CHAIN & GUIDE BAR

CAUTION: Make sure that the saw chain, guide bar & sprocket match each other in gauge & pitch.



Assemble the saw chain & guide bar following these steps.

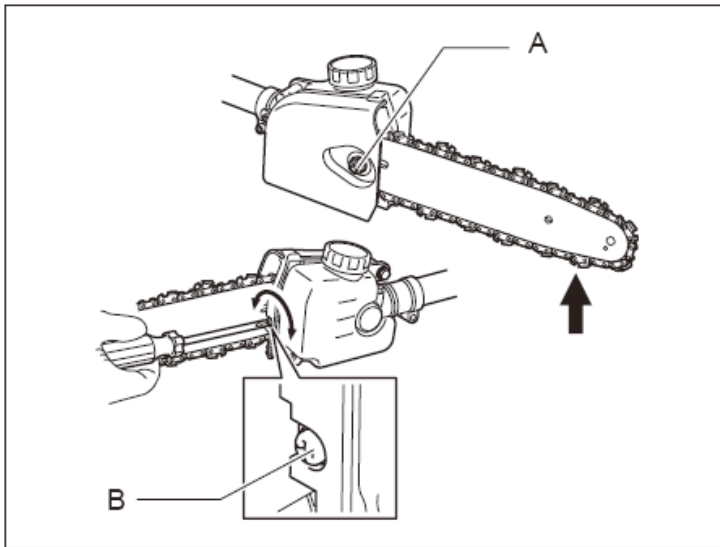
1. Loosen the nut (A) & remove the bar holder (B).
2. Fit the saw chain (C) into the groove of guide bar (D). Start at the bar nose.
3. Fit the saw chain (C) onto the sprocket (E).
4. Install the guide bar (D) so that the tensioning nut (F) fits into the hole (G) on the guide bar. Holes (H) are not used.
5. Fit the bar holder (B) & tighten the nut (A) securely. Then loose the nut a half turn as a provision of the chain tension adjustment.
6. Adjust the chain tension. Refer to the section "Adjusting the chain tension."

ADJUSTING THE CHAIN TENSION

CAUTION:

- Keep the applicable chain tension. Loose tension can cause the saw chain to come off during operation. Too tight tension can damage the saw chain or guide bar.
 - During operation, check the chain tension frequently. The saw chain stretches and becomes loose during operation. When use a new saw chain, adjust the tension more frequently.
- Adjust the chain tension as the following steps.

1. Loosen the nut (A) a half turn.
2. Hold the bar nose up. Turn the tensioning screw (B) clockwise until the saw chain fits the underside of the guide bar snugly.
3. Grasp the saw chain in the middle of the guide bar and lift up. The gap between the guide bar and the tie strap of the saw chain should be approximately 3 - 4 mm (0.118"-0.157"). If it is not, turn the tensioning screw counterclockwise slightly and do the step 2 again.
4. Tighten the nut (A) securely.
5. If necessary, tighten the tensioning screw a little to prevent it from falling.



FILLING THE CHAIN OIL TANK

The saw chain must be lubricated with chain oil during operation.

Before operation, fill the chain oil tank. After supplying the oil, tighten the oil cap securely. Use Makita genuine chain oil only.

NOTICE:

- Never use waste oil. It may damage the oil pump.
- Avoid dusty environment when filling the chain oil. Dust and other foreign materials may damage the oil feed system.

During operation, always pay attention to the oil level. Refill the tank if the oil level becomes low. The tank becomes empty in approximately 40 minutes of operation (depending on the setting of the chain lubrication).

⚠ WARNING: This product can expose you to chemicals including naphthalene and chromium from petroleum products which are known to the State of California to cause cancer and birth defects or other reproductive harm. For more information go to www.P65warnings.ca.gov

If the person receiving this handout will not be the user of the equipment, forward these instructions to the operator. **If** there is any doubt as to the operation or safety of the equipment.

DO NOT USE!!! CALL A TOOL SHED IMMEDIATELY!!!

FAILURE TO FOLLOW THESE INSTRUCTIONS COULD RESULT IN INJURY OR DEATH