

## WARNING HYDRAULIC BREAKER SAFETY

Any piece of equipment can be dangerous if not operated properly. **YOU** are responsible for the safe operation of this equipment. The operator must carefully read and follow any warnings, safety signs and instructions provided with or located on the equipment. Do not remove, defeat, deface or render inoperable any of the safety devices or warnings on this equipment. **IF** any safety devices or warnings have been removed, defeated, defaced, or rendered inoperable, **DO NOT USE THIS EQUIPMENT!!!**

**⚠ WARNING:** This product can expose you to chemicals including naphthalene from petroleum products which are known to the State of California to cause cancer and birth defects or other reproductive harm. For more information go to [www.P65warnings.ca.gov](http://www.P65warnings.ca.gov)

<<<WARNING >>>

**THE EQUIPMENT PROTECTION PLAN DOES NOT COVER DAMAGE TO HOSES AND FITTINGS. CUSTOMER IS RESPONSIBLE FOR ALL HOSE AND FITTING DAMAGE!**

**DANGER:** Exercise special care whenever entering or exiting a skid steer loader with an auxiliary attachment installed. Hoses, mounting brackets, and even the attachment itself can be a trip hazard and could cause you to fall.

**WARNING!** This product contains or produces one or more chemicals known to the State of California to cause cancer, birth defects or other reproductive harm.

**Danger:** This tool has & creates multiple pinch points. Keep hands, feet & other body parts clear at all times.

**NEVER TOUCH A LEAKING HYDRAULIC HOSE IT CAN PIERCE YOUR SKIN! Escaping hydraulic oil under pressure can have sufficient force to penetrate your skin, causing serious personal injury. If injured by escaping fluid, obtain medical treatment immediately!**

**KEEP BYSTANDERS AWAY.** To avoid injury from flying chips of stone or concrete, be sure others stay well away from the breaker when it is operating.

**ALWAYS** wear eye and hearing protection. We recommend wearing a face shield as additional face & eye protection.

### IMPORTANT SAFETY RULES TO FOLLOW

**BOOM DOWN PRESSURE:** Proper boom down pressure must be applied to achieve maximum breaking ability. If the down pressure is not sufficient, the energy created will be transferred to the carrier, not the concrete or rock. This could lead to stress on the breaker and the carrier, which could result in damage.

**THRUST DIRECTION:** Always position the breaker perpendicular to the work surface. As the breaker travels downward, it will follow a curved path. Always reposition the carrier to keep perpendicular to the work. If breaking is done at an angle other than perpendicular, the tool may slip off the material or cause a bind between the working steel and the front bushing.

**WORKING STEEL TRAVEL:** Make sure the working steel travels freely in the bushing. If the steel does not move freely, it may be seized in the front bushings.

**DRY FIRING HAMMER:** As soon as the material has been broken, discontinue hammering immediately. The breaker and carrier may be adversely affected by idle strokes. **AVOID MOVING ROCKS WITH BREAKER** Do Not use the breaker or working steel to roll, push material or reposition the carrier. This may cause damage to the mounting bolts, side plates, working steel or the carrier itself.

**PRYING:** Do not pry with the working steel, under any circumstances. This may cause damage to the bolts or failure of the working steel. Powdered "spoils" can become packed in a hole and will cause the steel to become stuck. Frequent re-positioning will help avoid this problem, as will correct selection of working steel.

**LIFTING:** Never use the working steel or breaker to lift with. This is dangerous and could damage the breaker or working steel.

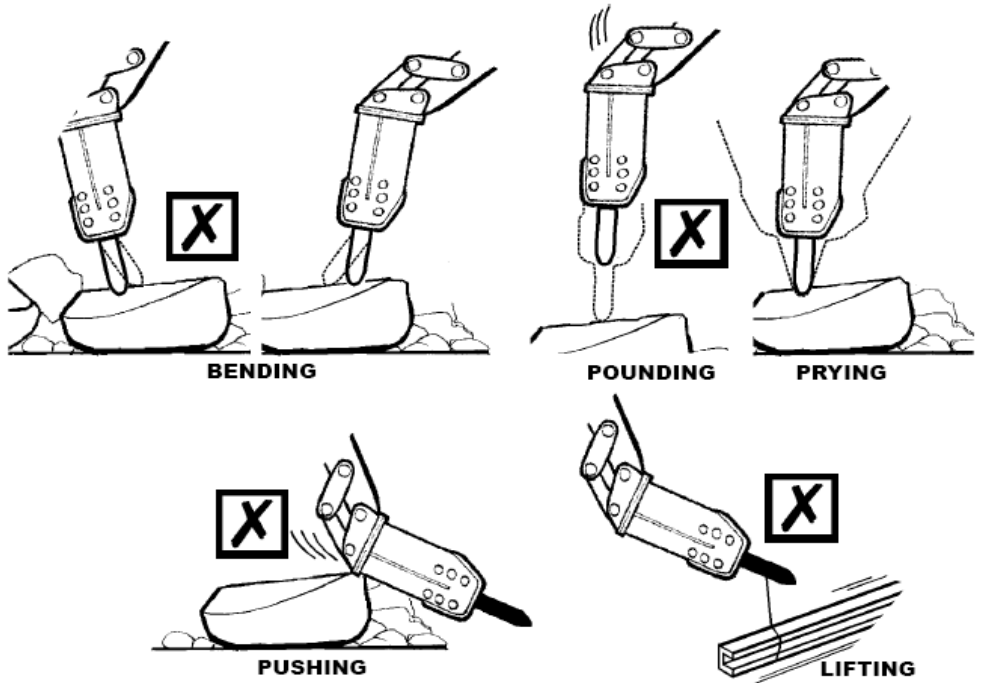
**POSITIONING THE BREAKER:** Always maintain control of the breaker when positioning the working steel. Do not let the breaker drop on the material being broken. This could damage the breaker & base machine.

### AVOID PROLONGED HAMMERING

Never hammer more than 45-60 seconds continuously in the same spot. When breaking hard material keep moving the working steel to avoid dulling the point or raising the oil temperature, which could result in a damaged accumulator, breaker, or carrier.

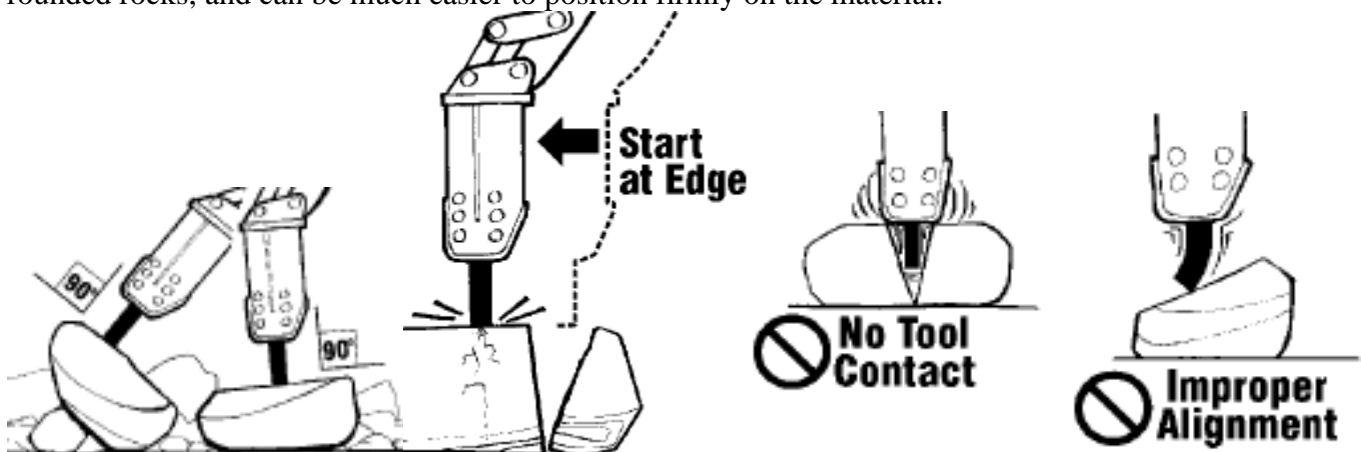
## IMPROPER BREAKER OPERATION

**BREAKING CONCRETE:** Begin by penetrating the concrete several times in one area with the breaker tool. This should loosen the concrete and separate the reinforcing steel. The reinforcing steel may need to be cut, keeping the concrete pieces manageable for hauling away. When breaking concrete floors, use the down force from the carrier's boom cylinder to follow the tool through the concrete. Breaking vertical walls is more difficult, force must be maintained using a combination of boom, stick, and tilt cylinders. A fast blow rate gives the best performance in breaking concrete, so ensure your carrier is providing the breaker with the maximum recommended oil flow. Generally, when breaking concrete, a chisel point gives the best splitting action. However, if you are breaking hard concrete with lots of reinforcing steel, a moil tip allows the tool to deflect off the steel as it breaks through the concrete.



**BREAKING HARD OR LARGE MATERIAL:** When breaking oversized material, it is always better to break the ends or at a crack. Even large rocks can be broken in this manner.

**BREAKING ROUND OR IRREGULARLY SHAPED MATERIAL:** When breaking rounded material that might shift or move, careful positioning is required. Often, blunt working steel makes better contact with rounded rocks, and can be much easier to position firmly on the material.



**Warning metal conducts electricity. Do Not use this Breaker where it may come into contact with power lines or other electric circuits. Failure to comply to this warning will result in serious personal injury or death. Keep appropriate distances from High Voltage lines.**

**Smart digging means calling 811 before each job. Whether you are a homeowner or a professional excavator, one call to 811 gets your underground utility lines marked for FREE!**

If the person receiving this handout will not be the user of the equipment, forward these instructions to the operator. **IF** there is any doubt as to the operation or safety of the equipment,

**DO NOT USE!!! CALL A TOOL SHED IMMEDIATELY!!!**

**FAILURE TO FOLLOW THESE INSTRUCTIONS COULD RESULT IN INJURY OR DEATH**

## Connect Attachment

**NOTICE:** Use only Ditch Witch-approved attachments. Attachments can change the stability and operating characteristics of the unit.

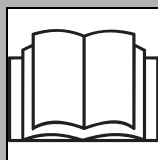
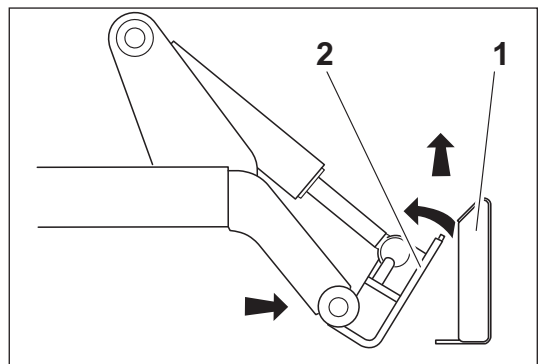
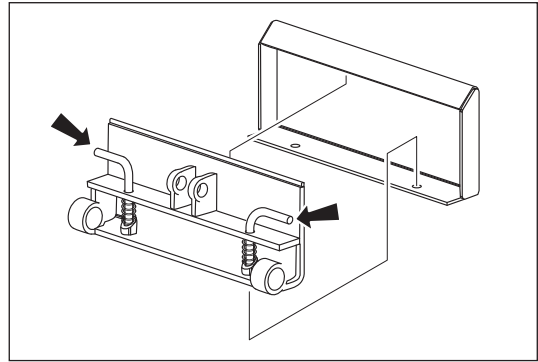
### Attachment


**IMPORTANT:** Before connecting attachment to unit, ensure that mount and receiver plates are free of dirt and debris.

1. Position attachment on level surface with enough space behind it to accommodate unit.
2. Ensure that lock pin handles (shown) on mount plate are turned away from center of attachment.
3. Start engine.
4. Tilt mount plate (2) forward.
5. Position mount plate in the upper lip of the receiver plate (1) on attachment.
6. Raise lift arms while tilting back mount plate.

**IMPORTANT:** Attachment should be raised enough to clear the ground. Mount plate should be tilted back fully.

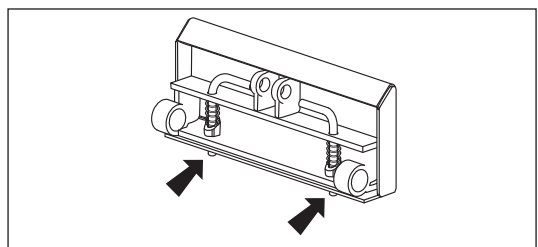
7. Turn ignition switch off and remove key.



**WARNING** Read operator's manual. Know how to use all controls before operating machine. When you see this sign  on the machine or in the manual, read it and use caution. Your safety is at stake.

**To help avoid injury:** Ensure proper connection by verifying that bottoms of lock pins are visible under attachment receiver plate (shown).

8. Rotate lock pin handles toward center of mount plate to secure attachment to lift plate.



## Connect Attachment

**NOTICE:** Use only Ditch Witch®-approved attachments. Attachments can change the stability and operating characteristics of the machine. See attachment operation manual for instructions regarding proper operation of attachments.

### Attachment

**IMPORTANT:** Before connecting attachment to machine, ensure that attachment (1) and receiver (2) plates are free of dirt and debris.

1. Ensure latch handles are down.
2. Position attachment on level surface with enough space behind it to accommodate machine.
3. Start engine.
4. Tilt attachment plate (1) forward.
5. Position attachment plate in the upper lip of the receiver plate (2) on attachment.
6. Raise lift arms while tilting back attachment plate to engage pins.
7. Ensure pins are engaged by rotating attachment down.

